



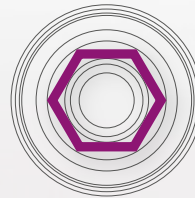
**JDENTALCARE**  
*just smile*



**ALLONX**  
by Topdent Technic

# JD EVOLUTION S

Dametrul 3.2 mm



Conexiune hexagonală



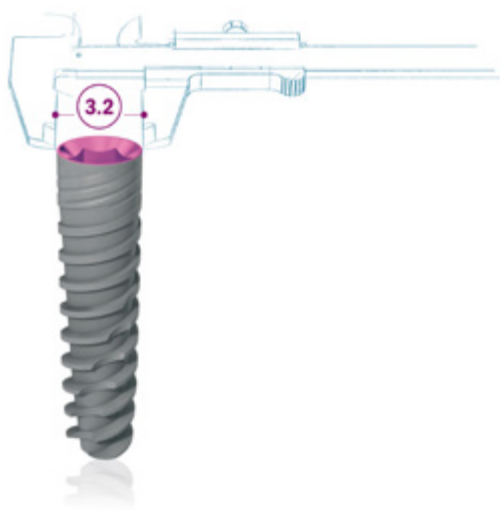
**FDA**  
Approved



Made in Italy

# JD EVOLUTION S

SIGUR CA DE OBICEI, MAI SUBȚIRE CA NICIODATĂ



## avantaje

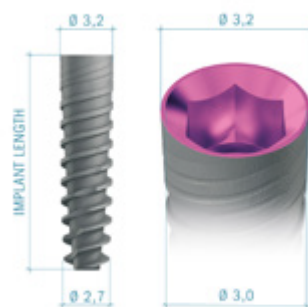
- Stabilitate primară ridicată
- Design cu filet autotăietor
- Vârful plat de tăiere permite redirectionarea finală a implantului în timpul plasării acestuia
- Capacitate de funcționare imediată
- Comutare integrată a platformei
- Rezolvă problemele spațiilor strânse
- Conceput special pentru spații înguste în zona estetică

## MĂSURI ȘI LUNGIMI IMPLANT

Implantele dentare JDEvolution S sunt disponibile în lungimile prezentate în tabelul următor:

Lungime implant

Ø 3,2mm	8 mm	10 mm	11,5 mm	13 mm	15 mm
---------	------	-------	---------	-------	-------



## SECVENȚA DE FORARE

Se recomandă aderarea la indicațiile următoarei secvențe de forare pentru a asigura stabilitatea primară optimă a implanturilor.

DIAMETRU IMPLANT	OS MOALE TIP IV	OS MEDIU TIP II-III	OS DENS TIP I
Ø 3,2	1,5 (2)	2 2,4	2 2,4 (2,8)

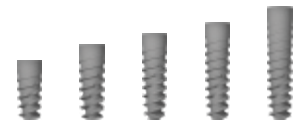
Notă: toate măsurătorile sunt în mm

# CATALOG DE PRODUSE

## Implanturi:

### Ø 3,2

EV32080	JDEvolution S Ø 3.2 L 8
EV32100	JDEvolution S Ø 3.2 L 10
EV32115	JDEvolution S Ø 3.2 L 11.5
EV32130	JDEvolution S Ø 3.2 L 13
EV32150	JDEvolution S Ø 3.2 L 15



## Șurub de acoperire:

ESCS	Cover Screw JDEvolution S
------	---------------------------



## Conformator gingival de vindecare:

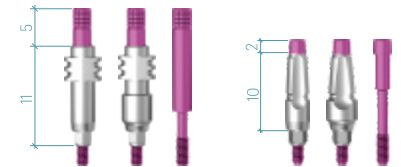
ESHA323	Healing Abutment Ø 3.2 H 3.0 JDEvolution S
ESHA325	Healing Abutment Ø 3.2 H 5.0 JDEvolution S
ESHA327	Healing Abutment Ø 3.2 H 7.0 JDEvolution S
ESHA403	Healing Abutment Ø 4.0 H 3.0 JDEvolution S
ESHA405	Healing Abutment Ø 4.0 H 5.0 JDEvolution S
ESHA407	Healing Abutment Ø 4.0 H 7.0 JDEvolution S



## Transfer:

ESICOT32C	Impression Coping Open Tray Ø 3.2 JDEvolution S
ESICOT40C	Impression Coping Open Tray Ø 4.0 JDEvolution S
ESICOTS	Impression Coping Open Tray Screw JDEvolution S

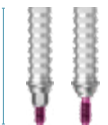
ESICCT32C	Impression Coping Closed Tray Ø 3.2 JDEvolution S
ESICCT40C	Impression Coping Closed Tray Ø 4.0 JDEvolution S
ESICCTS	Impression Coping Closed Tray Screw JDEvolution S



## Abutment temporar:

ESTAEC	Temporary Abutment Engaging JDEvolution S
ESTANEC	Temporary Abutment Non Engaging JDEvolution S

Torsiunea recomandată: 30 Ncm



## Abutment temporar imediat:

ESIT5C	Immediate Temporary Abutment JDEvolution S
EVITC	Immediate Temporary Abutment Healing Cap



## Abutment GP:

ESGPAE32C	GP Abutment Ø 3.2 JDEvolution S
ESGPAE40C	GP Abutment Ø 4.0 JDEvolution S
ES15GPAE40C	GP Abutment 15° Ø 4.0 JDEvolution S

Torsiunea recomandată: 30 Ncm



## Abutment anatomic:

ESAA15C	Anatomic Abutment Ø 4.0 H 1.5 JDEvolution S
ESAA30C	Anatomic Abutment Ø 4.0 H 3.0 JDEvolution S

Torsiunea recomandată: 30 Ncm



## Abutment de ceară:

ESWAEC	Wax-Up Abutment Engaging JDEvolution S
ESWANEC	Wax-Up Abutment Non Engaging JDEvolution S

Torsiunea recomandată: 30 Ncm



## Abutment din cobalt-crom:

ESCCEC	Cobalt-Chrome Abutment Engaging JDEvolution S
ESCCNEC	Cobalt-Chrome Abutment Non Engaging JDEvolution S
EVCACCNEC	Cobalt-Chrome Conical Abutment Non Engaging JDEvolution

Torsiunea recomandată: 30 Ncm



## Șurub protetic:

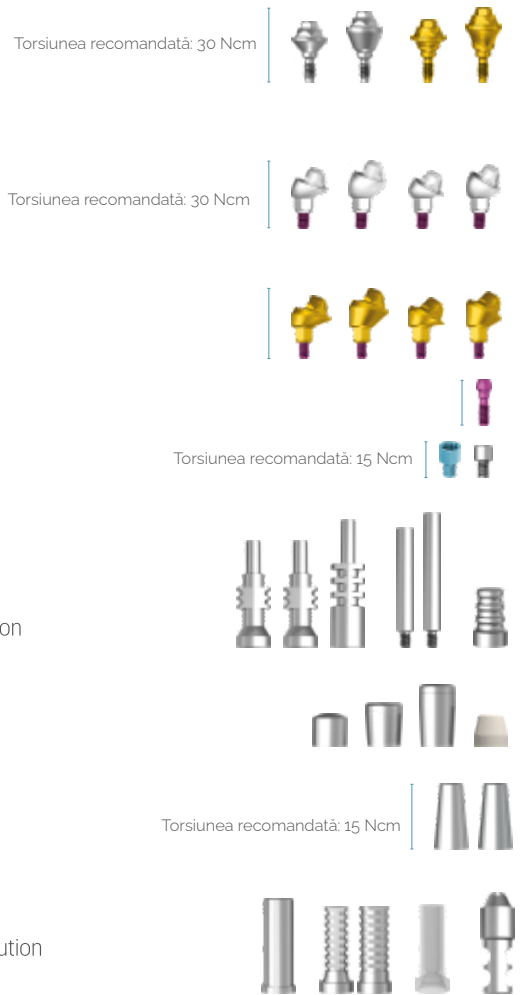
ESS	Prosthetic Screw JDEvolution S
ESSA	Prosthetic Screw Angulated JDEvolution S

Torsiunea recomandată: 30 Ncm



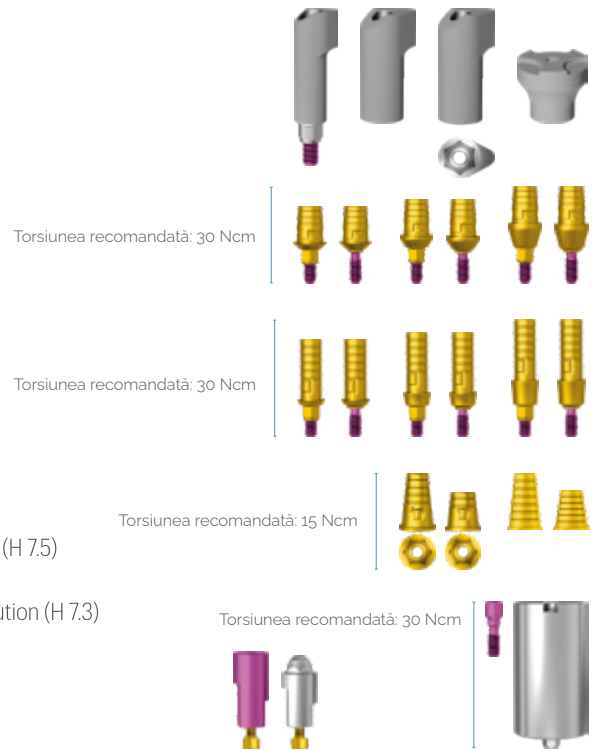
## Abutment Conic multiunit (MUA):

ESCA15C	Straight Conical Abutment H 1.5 JDEvolution S
ESCA30C	Straight Conical Abutment H 3.0 JDEvolution S
ESCA15TSC	Conical Abutment Tissue Straight H 1.5 JDEvolution S
ESCA30TSC	Conical Abutment Tissue Straight H 3.0 JDEvolution S
ESCA1725C	17° Angulated Conical Abutment H 2.5 JDEvolution S
ESCA1735C	17° Angulated Conical Abutment H 3.5 JDEvolution
ESCA3025C	30° Angulated Conical Abutment H 2.5 JDEvolution
ESCA3035C	30° Angulated Conical Abutment H 3.5 JDEvolution S
ESCA1725TSC	Conical Abutment Tissue Angulated 17° H 2.5 JDEvolution S
ESCA1735TSC	Conical Abutment Tissue Angulated 17° H 3.5 JDEvolution S
ESCA3025TSC	Conical Abutment Tissue Angulated 30° H 2.5 JDEvolution S
ESCA3035TSC	Conical Abutment Tissue Angulated 30° H 3.5 JDEvolution S
ESCASA	Angulated Conical Abutment Screw JDEvolution S
EVCAPS	Prosthetic Screw Conical Abutment JDEvolution
EVCAPSA	Prosthetic Screw Angulated for Conical Abutment JDEvolution
EVCAIOTEC	Conical Abutment Impression Coping Open Tray Engaging JDEvolution
EVCAICOTC	Conical Abutment Impression Coping Open Tray JDEvolution
EVCAICOTLC	Conical Abutment Impression Coping Open Tray Long JDEvolution
EVCAICOT02	Screw for Conical Abutment Impression Coping Open Tray JDEvolution
EVCAICOT04	Screw for Conical Abutment Impression Coping Open Tray Long JDEvolution
EVCAICTC	Conical Abutment Impression Coping Closed Tray
EVAHC	Conical Abutment Healing Cap JDEvolution
EVAHCL	Conical Abutment Healing Cap H 6.0 JDEvolution
EVAHC9	Conical Abutment Healing Cap H 9.0 JDEvolution
EVAHCB	Conical Abutment Healing Cap Peek JDEvolution
EVCAGPAEC	GP Abutment Engaging for Conical Abutment JDEvolution
EVCAGPANEC	GP Abutment Non Engaging for Conical Abutment JDEvolution
EVCATANEWSC	Temporary Abutment Non Engaging Conical Abutment JDEvolution
EVCATANEC	Temporary Abutment Non Engaging Conical Abutment JDEvolution
EVCATANEWC	Temporary Abutment Non Engaging Conical Abutment for Welding JDEvolution
EVCAWANEC	Wax-Up Abutment Non Engaging for Conical Abutment
EVCAAR	Conical Abutment Replica



## TiBase, JDscanBody și Implant Replica CAD CAM:

ESSBCEC	ScanBody Engaging JDEvolution S
EVCASBCEC	ScanBody Conical Abutment JDEvolution
EVCASBCEEC	ScanBody Engaging Conical Abutment
EVCASBCECSC:	On Top ScanBody Conical Abutment JDEvolution Plus*
ESTIBC	TiBase Engaging Ø4.25 H 0.5 C 4.7 JDEvolution S
ESTIBNEC	TiBase Non Engaging Ø4.25 H 0.5 C 4.7 JDEvolution S
ESTIB15C	TiBase Engaging Ø4.25 H 1.5 C 4.7 JDEvolution S
ESTIB15NEC	TiBase Non Engaging Ø4.25 H 1.5 C 4.7 JDEvolution S
ESTIB30C	TiBase Engaging Ø4.25 H 3.0 C 4.7 JDEvolution S
ESTIB30NEC	TiBase Non Engaging Ø4.25 H 3.0 C 4.7 JDEvolution S
ESTIBNC	TiBase Long Engaging Ø 3.5 H 0.5 C 7.7 JDEvolution S
ESTIBNENC	TiBase Long Non Engaging Ø 3.5 H 0.5 C 7.7 JDEvolution S
ESTIB15NC	TiBase Long Engaging Ø 3.5 H 1.5 C 7.7 JDEvolution S
ESTIB15NENC	TiBase Long Non Engaging Ø 3.5 H 1.5 C 7.7 JDEvolution S
ESTIB30NC	TiBase long Engaging Ø 3.5 H 3.0 C 7.7 JDEvolution S
ESTIB30NENC	TiBase long Non Engaging Ø 3.5 H 3.0 C 7.7 JDEvolution S
EVCAITEC	Interface CAD CAM for Conical Abutment Engaging JDEvolution (H 7.5)
EVA139C	TiBase Engaging for Conical Abutment (H 5.0)
EVCAITC	Interface CAD CAM for Conical Abutment Non Engaging JDEvolution (H 7.3)
EVCATIBC	TiBase for Conical Abutment JDEvolution (H 5.0)
ESANCN	Implant Replica CAD CAM New JDEvolution S
EVCAARCN	Conical Abutment Replica CAD CAM New
ESPMNC	Pre-milled Abutment Blank JDEvolution S



\*for screw use JDEvolution Plus prosthetic screwdriver

## Replica de Implant:

ESAN	Implant Replica JDEvolution S
------	-------------------------------



## Abutment cu Bila:

ESBA15	Ball Abutment H 1.5 JDEvolution S
ESBA30	Ball Abutment H 3.0 JDEvolution S
ESBA50	Ball Abutment H 5.0 JDEvolution S
EVBA	Ball Abutment Replica
EVBAHC	Ball Abutment Elastic Retention Cap w/ Container
EVBAN	Ball Abutment Retention Cap

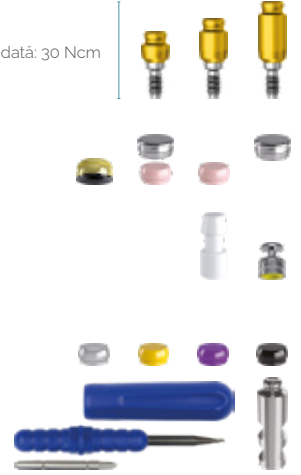
Torsiunea recomandată: 30 Ncm



## Abutment Emi:

ESEMI15	Emi Abutment H 1.5 JDEvolution S
ESEMI30	Emi Abutment H 3.0 JDEvolution S
ESEMI50	Emi Abutment H 5.0 JDEvolution S
EVEMISCK	Smart cap attachment Emi Abutment
EVEMIHC	Emi Abutment Elastic Retention Cap w/ Container
EVEMIN	Emi Abutment Elastic Retention Cap (1.2 kg)
EVEMIH	Emi Abutment Container
EVEMIC	Emi Abutment Plastic Impression Coping
EVEMICS	Emi Abutment Steel Impression Coping
EVEMINT	Emi Abutment White Retention Cap (1.8 kg)
EVEMINY	Emi Abutment Yellow Retention Cap (0.6 kg)
EVEMINP	Emi Abutment Purple Retention Cap (2.5 kg)
EVEMINB	Emi Abutment Retention Cap for Laboratory
EVEMIEIT	Extractor-insertion Tool For Caps
EVEMIA	Emi Abutment Replica

Torsiunea recomandată: 30 Ncm



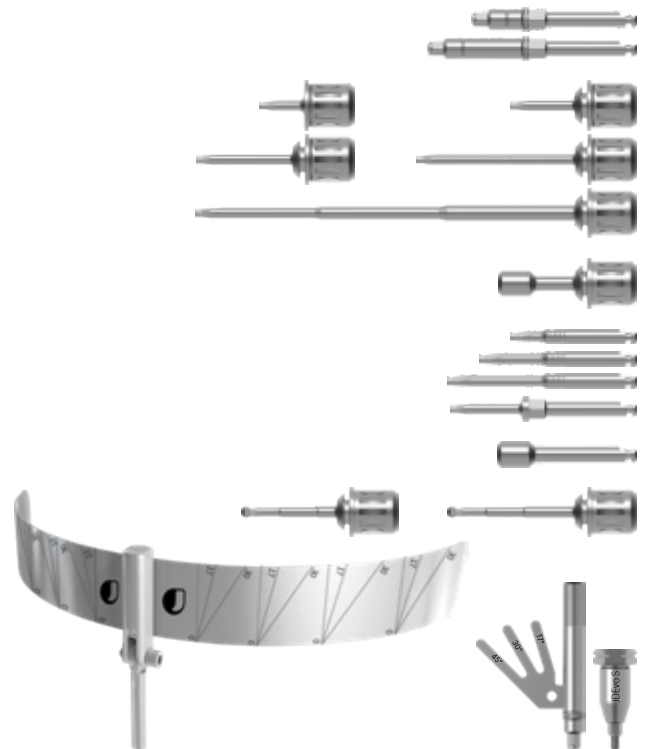
## Moară de os colector:

ESBM5C	Bone Mill Ø 5.0 and Guide JDEvolution S
ESBM6C	Bone Mill Ø 6.0 and Guide JDEvolution S
JDBM3	Bone Mill Guide JDEvolution S



## Dispozitive și chei pentru protetică:

ESID	Implant Driver JDEvolution S
ESIDL	Implant Driver Long JDEvolution S
EVSDPF15	Prosthetic Driver for JDTorque L 15
EVSDPF20	Prosthetic Driver for JDTorque L 20
EVSDPF25	Prosthetic Driver for JDTorque L 25
EVSDPF35	Prosthetic Driver for JDTorque L 35
EVSDPF60	Prosthetic Driver for JDTorque L 60
EVSDCAF	Conical Abutment Driver for JDTorque
EVSDP20	Prosthetic Driver L 20
EVSDP25	Prosthetic Driver L 25
EVSDP30	Prosthetic Driver L 30
JDPD103	Prosthetic Driver for Surgical Driver
EVSDCA	Conical Abutment Driver
EVSDPF25A	Angulated Screw Driver for JDTorque L 25
EVSDPF30A	Angulated Screw Driver for JDTorque L 30
JDG	JDGuide
ESAMT	Conical Abutment Aligning Instrument JDEvolution S
ESGMC	Implant Mounter for JDEvolution S





**JDENTALCARE**

[www.jdentalcare.com](http://www.jdentalcare.com)



**REPREZENTANT AUTORIZAT JDENTALCARE ROMANIA**

**S.C TOPDENT TECHNIC SRL / CUI : 43646472**

**BUCURESTI , STR.BARBU VACADESCU 162**

**EMAIL : CONTACT@ALLONX.RO**

**CONTACT : +4074492166**

**WEB : WWW.JDENTALCARE.RO**

**E-SHOP : WWW.ALLONX.RO**